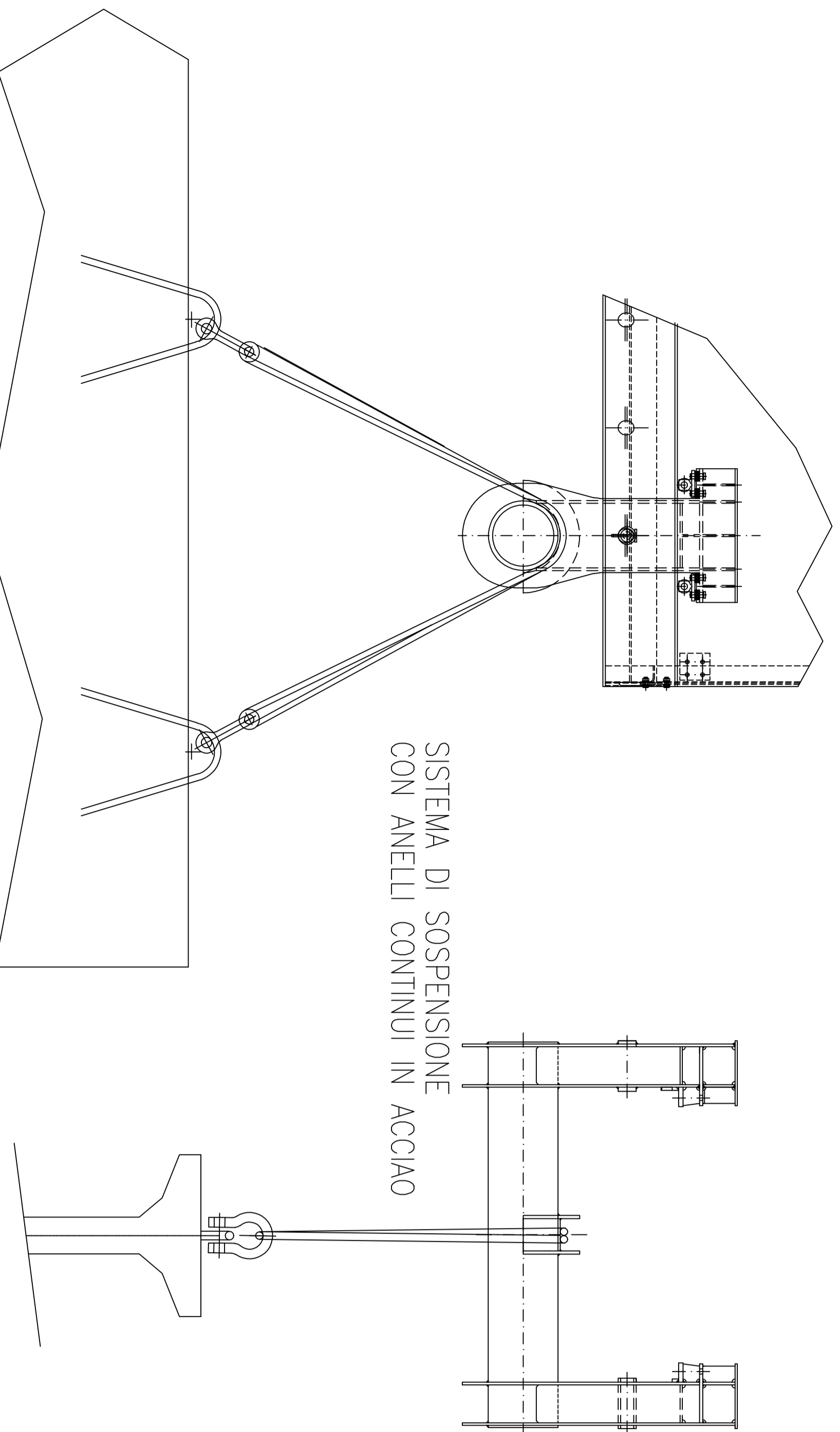
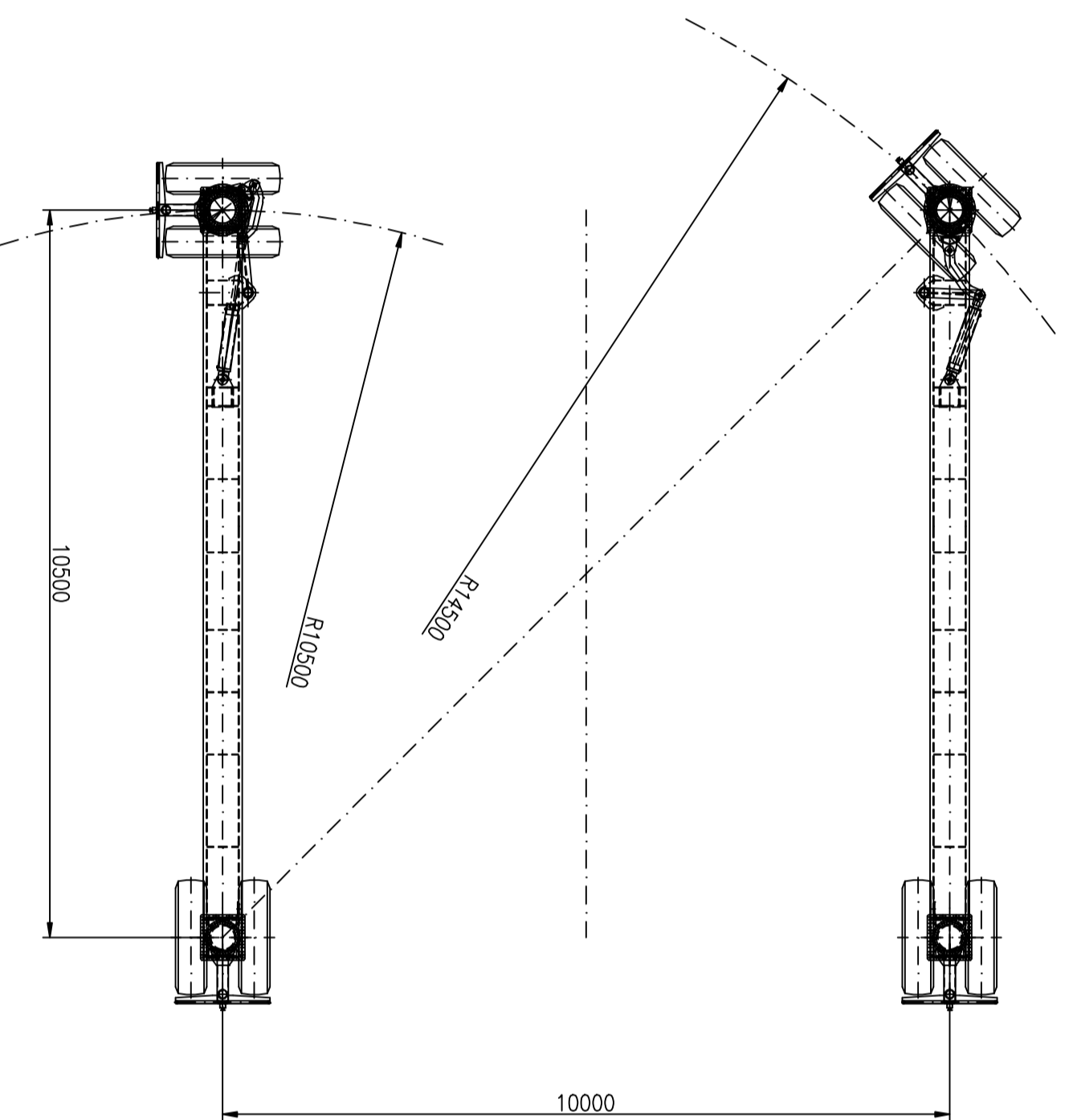


SISTEMA DI SOSPENSIONE  
CON ANELLI CONTINUI IN ACCIAIO



STANDARD STEERING



10	SC06B00B0001	ASSEMBLE SCALE SU STRUTTURA	1	953
9	SC06B00H0000	ASSEMBLE SOLLEMMENTO	1	10350
8	SC06B00I0000	ASSEMBLE ARGANO DI SOLLEMMENTO	2	1708.6
7	SC06C00A0000	ASSEMBLE STERZATURA	1	930.6
6	SC06E00A0000	ASSEMBLE GRUPPO TERMODIRALICO CON CABINA	1	2135.4
5	SC06B00H0004	ASSEMBLE BILANCIO	1	30870
4	SC06B00I0000	ASSEMBLE CARRELLI SU BILANCIO	2	1447.2
3	SC05C00C00000	ASSEMBLE SCARPONE MOTORIZZATO	2	2762
2	SC05C00D00000	ASSEMBLE SCARPONE FOLLE	2	2762
1	SC06B00A0000	ASSEMBLE CARPENTIERE	1	24658

POS.	CODE	DESCRIPTION	MATERIAL	PIECES	DIMENSIONS	WEIGHT kg
1	27-10-2017	AGGIUNTO POS. 10	BG	SC06		
2		MODIFICAZIONE	USA	MACH. TYPE	MACH. No.	GROUP
3		TECNIC. AND/OR SURFACE TREATM.		ROUNDRNESS	ROUNDRNESS	no mm
UNQUOTE'S BE/EL						
0.5X45						
DRAWN BY						
CALCULATION						
CHECK						
APPROVED						
QUOTES WITH NO TOLERANCE : ISO 2768-mk						
FACTOR (PRECISION DEG.)						
SCALE						
MODIFICATION INDEX						
DATE						
11-09-2017						
FRMA						
BG						
EQUIPMENT						
STRADDLE CARRIER SC 110						
GROUP						
DETAIL						
ASSEMBLE GENERALE						
MATERIAL MARK						

RIGHTS RESERVED. No copy or use can be made of this drawing without previous authorization by P.D.N.

**P.D.N.**  
Engineering and Control

DRIVING No. **SC06A00A0001**